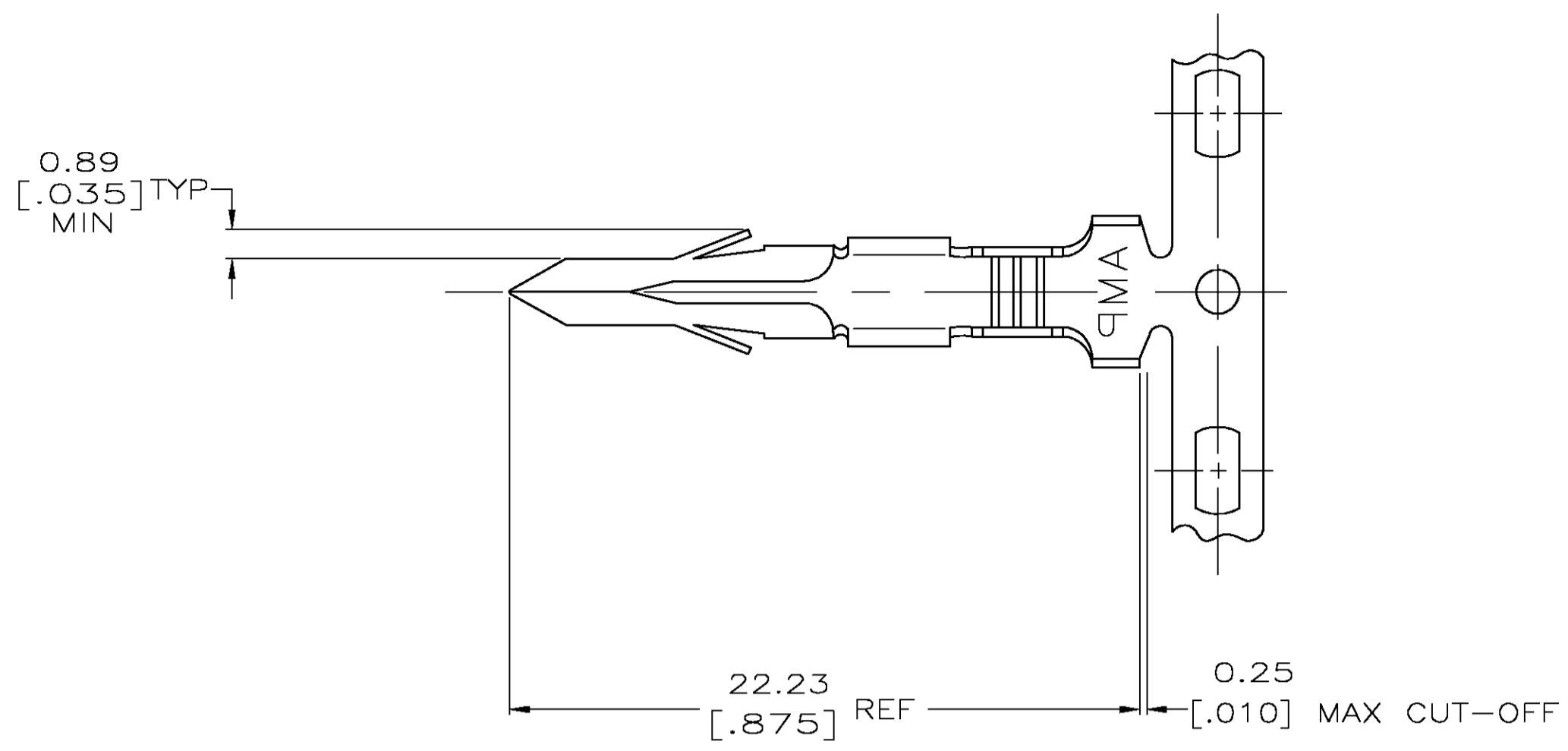
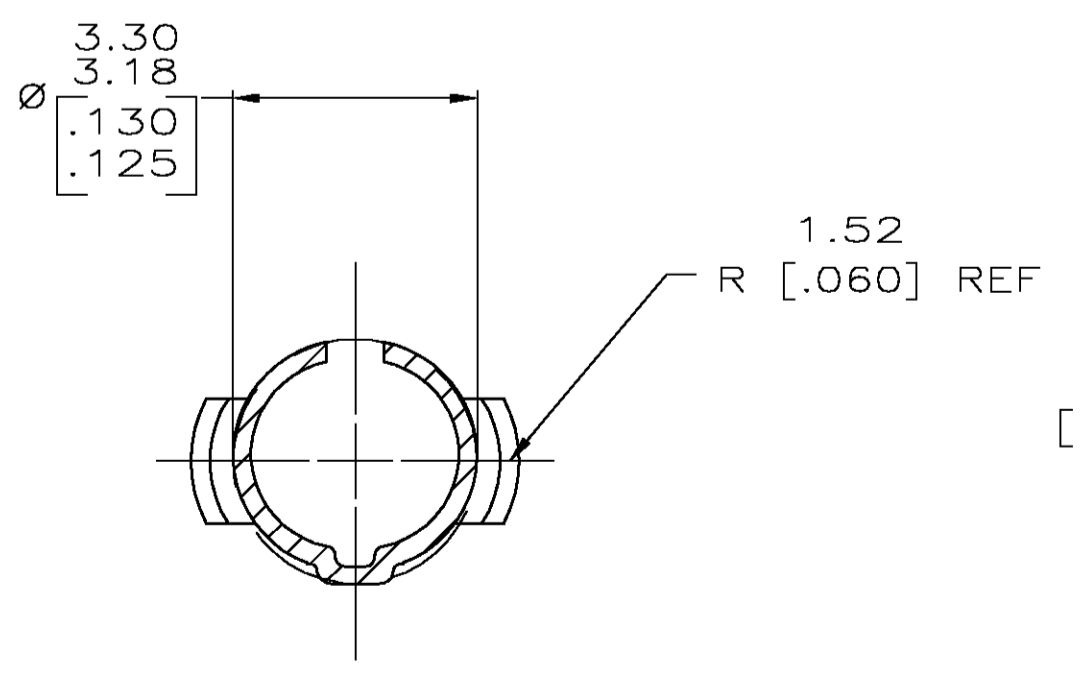
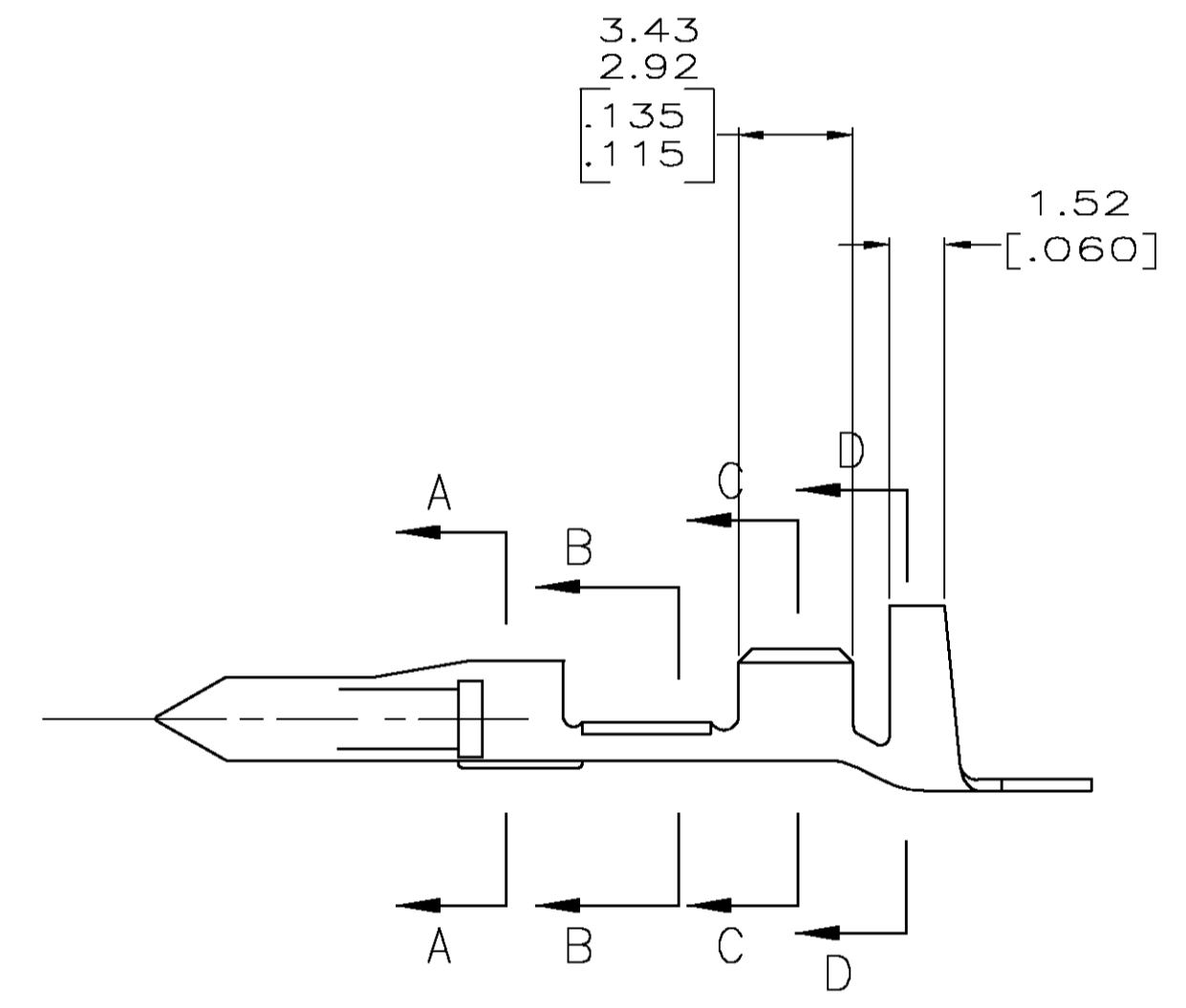
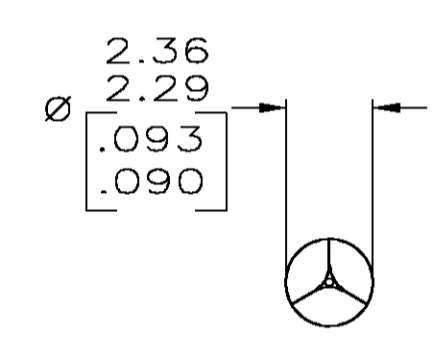


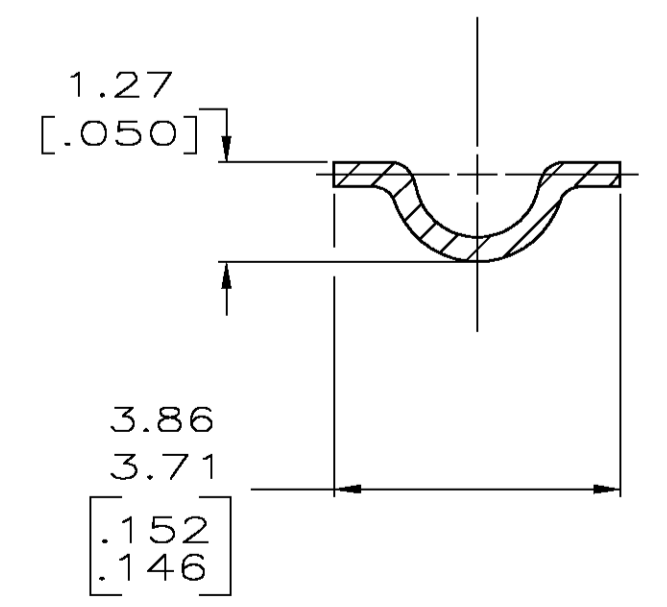
LOC		DIST		REVISIONS			
P	LR	DESCRIPTION	DATE	BY	APP'D		
J		REVISED PER 063B-0144-04	17JUN04	KW	DS		



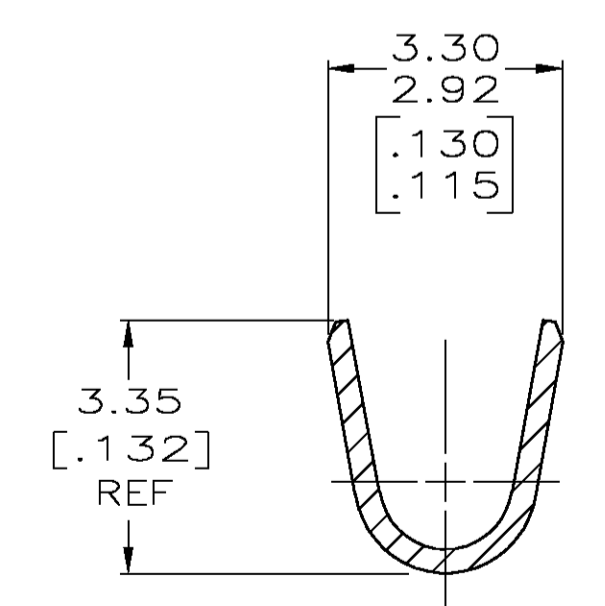
- INSULATION RANGE- 4.57 [.180] MAX DIA.  
WIRE RANGE- 0.6-2mm<sup>2</sup> [20-14] AWG.
- NOT RECOMMENDED FOR USE IN 1,5,6,9,12,&15 POSITION STANDARD 2.36 [.093] COMMERCIAL PIN & SOCKET HOUSINGS WITH INSULATION DIAMETERS GREATER THAN 4.06 [.160].
- DIMENSIONS IN BRACKETS ARE IN INCHES.



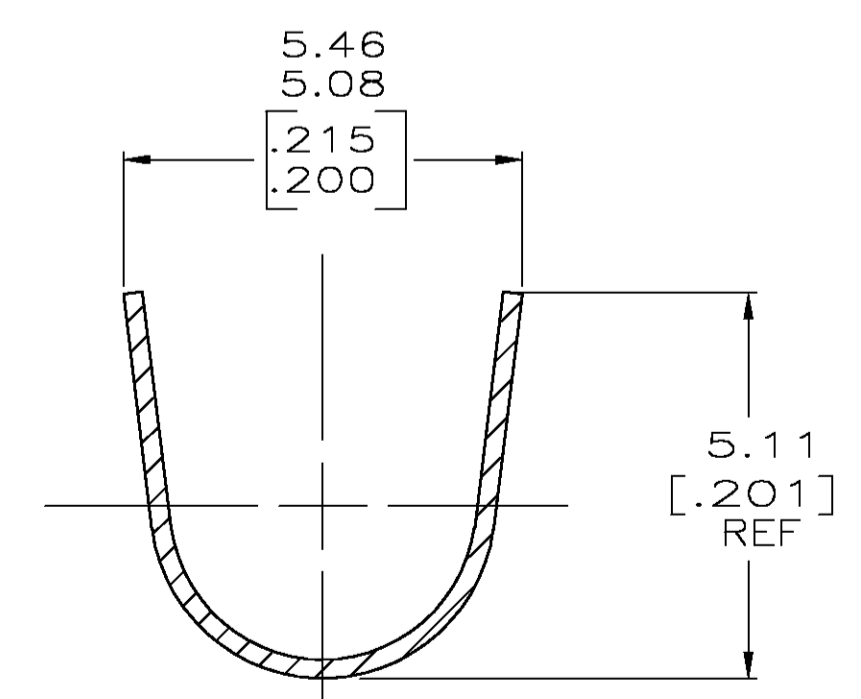
SECTION A-A  
SCALE 10:1



SECTION B-B  
SCALE 10:1



SECTION C-C  
SCALE 10:1



SECTION D-D  
SCALE 10:1

**METRIC**

770530-1  
PART NO

THIS DRAWING IS A CONTROLLED DOCUMENT.		DWG K. WHITAKER	17JUN04		Tyco Electronics Corporation Greensboro, NC 27409	
DIMENSIONS: mm [INCHES]		CHK D. COLEY	17JUN04		APPROD D. COLEY	NAME .093 PIN, COMMERCIAL PIN AND SOCKET
TOLERANCES UNLESS OTHERWISE SPECIFIED:		0 PLC ± -		APPLICATION SPEC		
		1 PLC ± -		SIZE A1		
		2 PLC ± -		CAGE CODE 00779		
		3 PLC ± .005		DRAWING NO 770530		
		4 PLC ± -		RESTRICTED TO		
		ANGLES ± 0.30°		CUSTOMER DRAWING		
MATERIAL		FINISH		SCALE 5:1		SHEET 1 OF 1
				REV J		